



GERMAN HIGH TECHNOLOGY

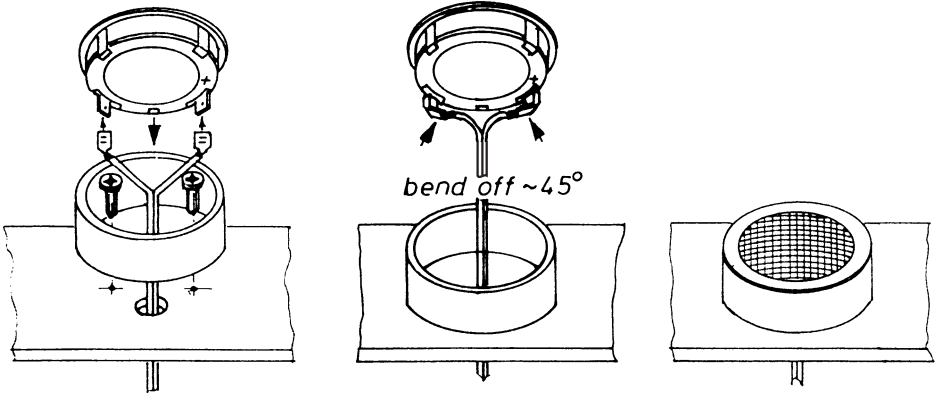
PRO 165

2-WAY SYSTEM

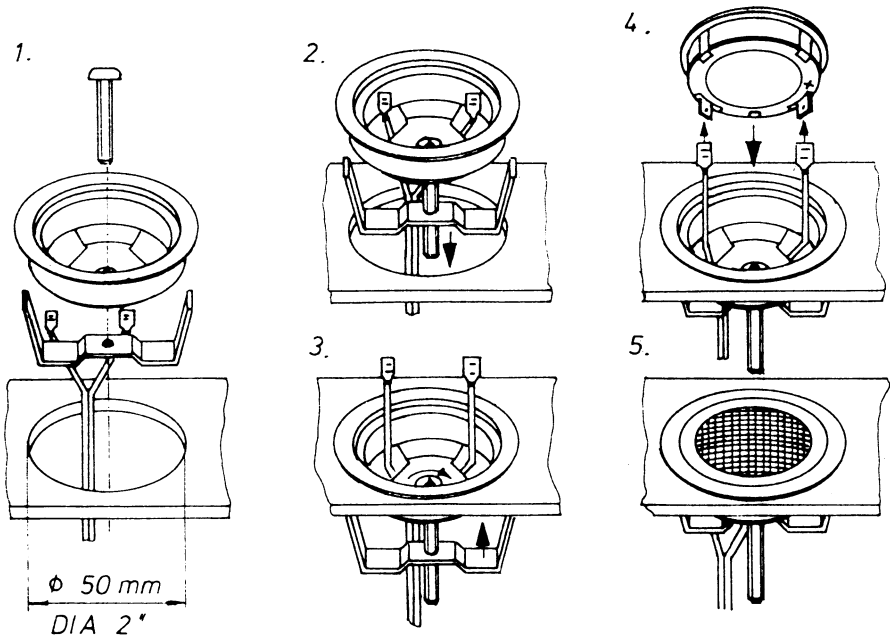
INSTALLATION

Installation Procedure

Tweeter: surface mounting

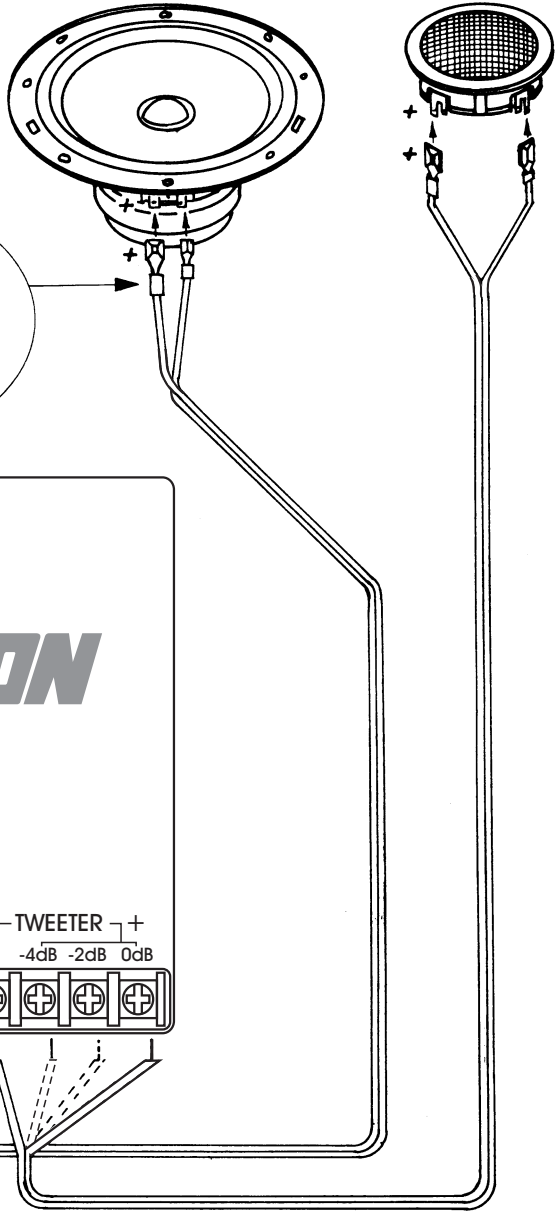
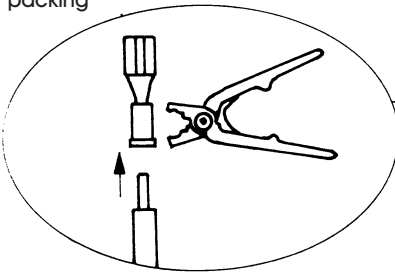


Tweeter: flush mounting



Crossover connection

For the connection of the woofer terminal, please use receptacles enclosed in the packing



amplifier

Do not use your automobile until all components of the loudspeaker system have been secured to the interior framework. Failure to do so may turn a component into a dangerous, flying projectile during a sudden stop or accident.

Do not drill or drive screws through any vehicle interior or carpeted floor before inspecting the underside for potential punctures to control lines or cables. Be sure to avoid all fuel lines, brake lines, electrical cables or oil lines when planning the installation.

Before beginning installation of the loudspeaker system remove the minus connector from the automobile battery in order to avoid possible short circuits.

Caution: Use care when removing interior trim panels. Car manufacturers use a variety of fastening devices that can be damaged in the disassembly process.

Caution: Do not apply power to the tweeters without first installing crossovers.

Specifications	System	Woofers	Tweeter
Construction	2-Way		
Impedance	4 Ohms		
Power rating	peak continuous	100 Watts 70 Watts	
Frequency range		43-25000 Hz	
Sensitivity 1W/1m		90 dB	
Climate		tropical proof	
Diaphragm material		Specially coated paper	Aluminium
Surround material		Rubber	
Voice-coil former		Aluminium	Aluminium
Chassis material		galvanized, epoxy resin steel basket	Polyamid
Magnet material		Ceramic 330	Neodymium
Total diameter		168 mm	50 mm / 58 mm
Total height		70 mm	30 mm / 10 mm
Frequency crossover			
Slope		12 /12 dB	
Turnover frequency		2500 Hz	
Inductors		air-core	
Tweeter adjustable		-2dB / -4 dB	

Option: mounting ring and metal grille for the woofer