



#1.2481.01

## Features

11" Bass driver for multiple usage, 3-layer Hexacone Sandwich cone, equipped with a heavy bass-base, reproduction up to the lower mid-range, uncolored sound performance.

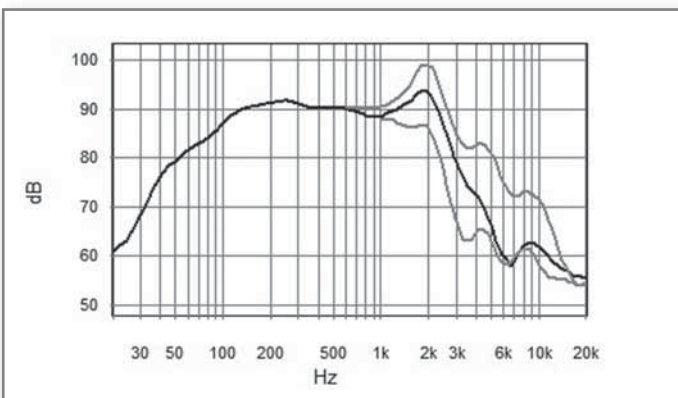
11" Tieftöner mit variablem Einsatzbereich, 3-schichtige Hexacone Sandwich-Membrane, verfügt über kraftvolles Bassfundament, hohe Durchzeichnung bis in den unteren Mitteltonbereich, neutrale Klangeigenschaften.

## Main technical data

Nominal impedance	$Z_n$	8	$\Omega$
DC resistance	$R_e$	5.2	$\Omega$
Resonance frequency 1W	$f_r$	22	Hz
Resonance frequency TSP	$f_r$	24	Hz
Suspension compliance	$C_{MS}$	0.71	mm/N
Mechanical Q	$Q_{ms}$	9.94	
Electrical Q	$Q_{es}$	0.32	
Total Q	$Q_{ts}$	0.31	
Mechanical resistance	$R_{MS}$	1.01	kg/s

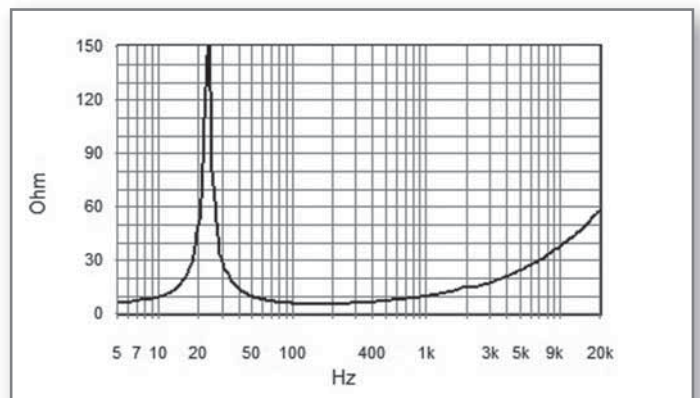
Total moving mass (incl. air mass)	$M_{MD}$	61.0	g
Effective piston area	$S_D$	366	cm <sup>2</sup>
Voice coil inductance	$L_e$	1.15	mH
Force factor	$B_L \cdot x_l$	11.6	Tm
Xmax electrical	+/-	5.0	mm
Xmax mechanical	+/-	14.6	mm
Equivalent air vol. of suspension	$V_{AS}$	134.0	dm <sup>3</sup>
Characteristic SPL 1 Watt/1m		91	dB SPL
Rated power		150	W

## Frequency response

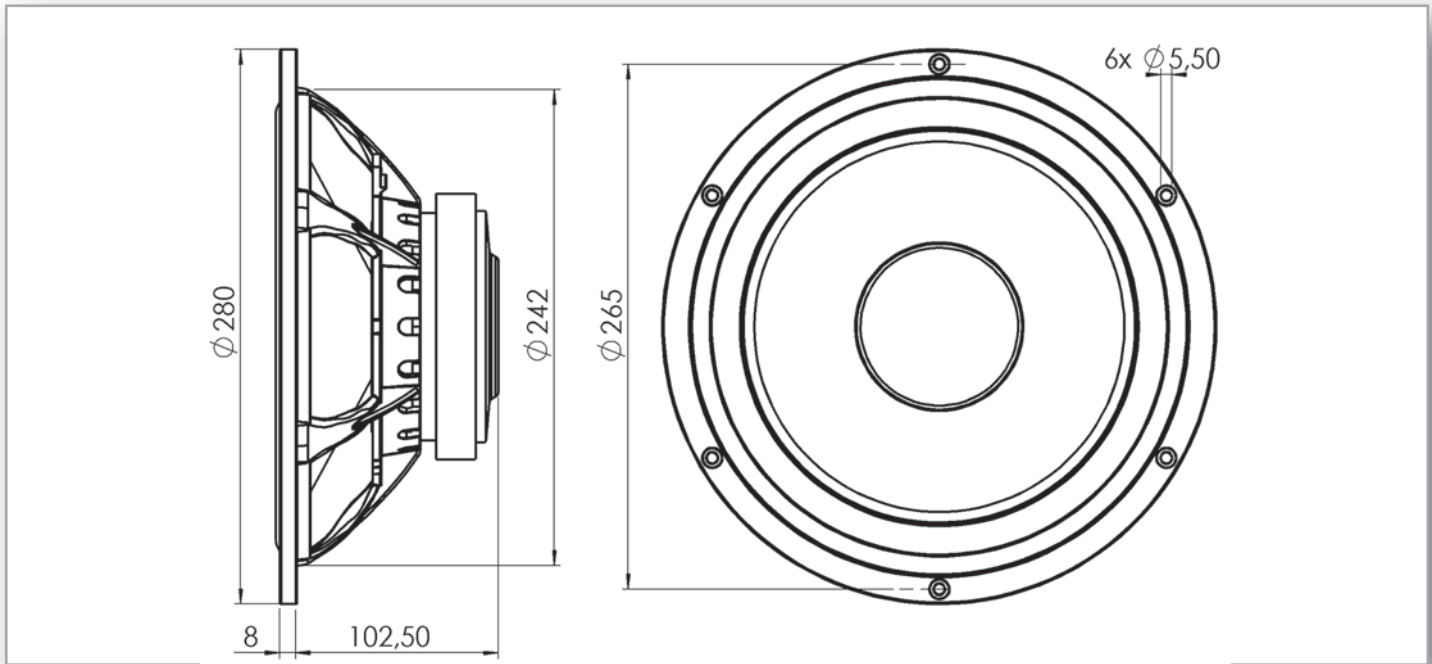


SPL 2,83 V/1m; black 30°, grey 0,60°  
Half space; endless baffle; enclosure 700 l

## Impedance



Measured free air without baffle



### Mechanical data

Overall diameter	280	mm
Cutout diameter	242	mm
Frame depth	8	mm
Overall depth	110.5	mm
Screw holes diameter	5.5/ 9.7	mm
Terminal	4.8/ 6.3	mm
Weight	3.30	kg

### Voice coil

Diameter	50	mm
Height	18	mm
Wire material	Cu	
Former material	Kapton	
Layers	2	

### Magnet

Flux density	1.06	T
Height of gap	8	mm
Material	Ferrite	
Dimension	134 x 57	mm
Height	20	mm
Motor type	Overhung	
Ferrofluid	no	

### Other data

Recommended frequency range	30-1000	Hz
-----------------------------	---------	----