



Features

12" Bass driver primary for sub and 3-way application, 3-layer Hexacone Sandwich cone, equipped with an excellent deep-bass reproduction, fast and high dynamical bass reproduction, high power handling.

12" Tieftöner primär für Sub u. 3-Wege-Anwendungen, 3-schichtige Hexacone Sandwich-Membrane, verfügt über ein exzellentes Tiefbassfundament, schnelle, impulsive Basswiedergabe, hohe Dynamik und Belastbarkeit.

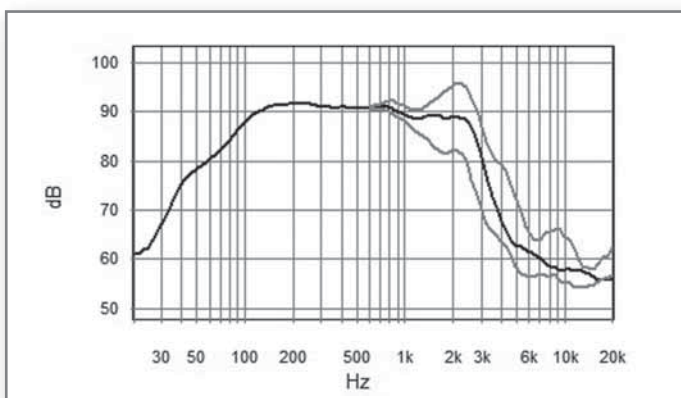
#1.3110.15

Main technical data

Nominal impedance	Z_n	8	Ω
DC resistance	R_e	6.1	Ω
Resonance frequency 1W	f_r	23	Hz
Resonance frequency TSP	f_r	26	Hz
Suspension compliance	C_{MS}	0.46	mm/N
Mechanical Q	Q_{ms}	2.87	
Electrical Q	Q_{es}	0.33	
Total Q	Q_{ts}	0.29	
Mechanical resistance	R_{MS}	5.29	kg/s

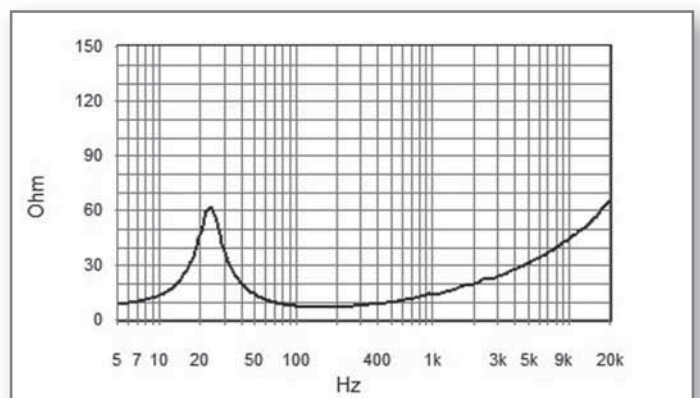
Total moving mass (incl. air mass)	M_{MD}	107	g
Effective piston area	S_D	515	cm ²
Voice coil inductance	L_e	1.47	mH
Force factor	$B_L \times l$	16.8	Tm
Xmax electrical	+/-	6.0	mm
Xmax mechanical	+/-	15.7	mm
Equivalent air vol. of suspension	V_{AS}	173.0	dm ³
Characteristic SPL 1 Watt/1m		91	dB SPL
Rated power		200	W

Frequency response

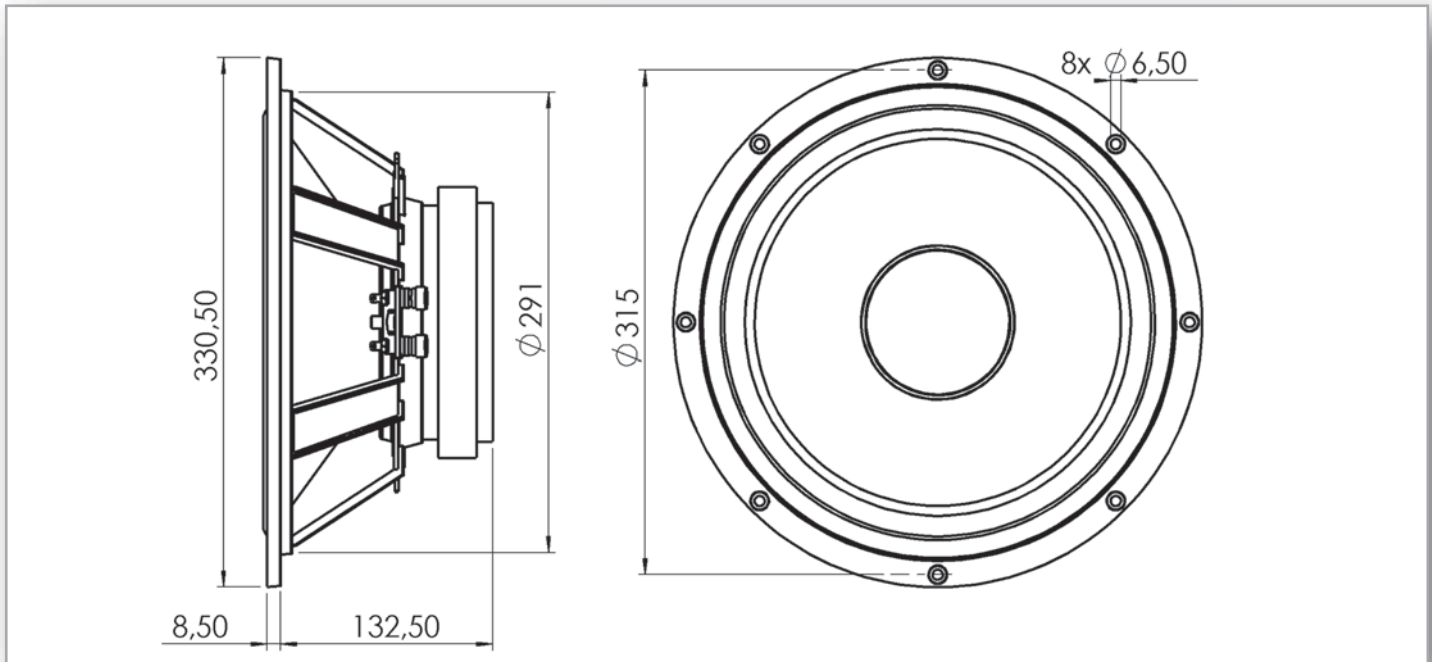


SPL 2,83 V/1m; black 30°, grey 0,60°
Half space; endless baffle; enclosure 700 l

Impedance



Measured free air without baffle



Mechanical data

Overall diameter	330.5	mm
Cutout diameter	291	mm
Frame depth	8.5	mm
Overall depth	141	mm
Screw holes diameter	6.5/ 11	mm
Terminal	Screw/ Banana	mm
Weight	6.30	kg

Voice coil

Diameter	62	mm
Height	22	mm
Wire material	Cu	
Former material	Aluminium	
Layers	2	

Magnet

Flux density	1.00	T
Height of gap	10	mm
Material	Ferrite	
Dimension	169 x 75	mm
Height	24	mm
Motor type	Overhung	
Ferrofluid	no	

Other data

Recommended frequency range	25-500	Hz
-----------------------------	--------	----