



## Features

7" Bass-Midrange driver for multiple usage, Phase plug construction, 3-layer Hexacone Sandwich cone, equipped with a solid bass-base, uncolored sound performance.

7" Tiefmitteltöner mit variablem Einsatzbereich, offene Phase Plug Bauweise, 3-schichtige Hexacone Sandwich-Membrane, verfügt über ein solides Bassfundament, neutrale Klangeigenschaften.

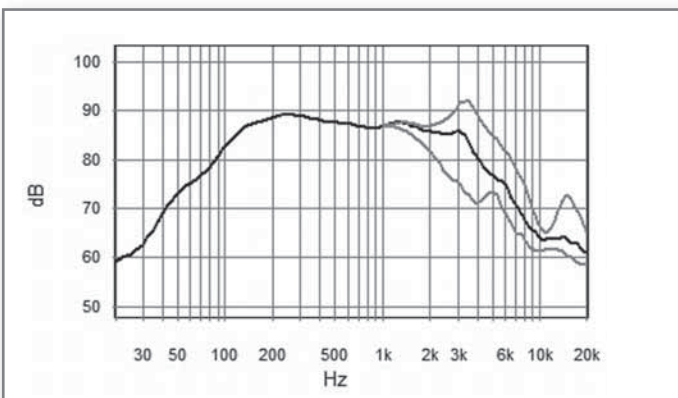
#1.1664.05

## Main technical data

Nominal impedance	$Z_n$	8	$\Omega$
DC resistance	$R_e$	6.6	$\Omega$
Resonance frequency 1W	$f_r$	34	Hz
Resonance frequency TSP	$f_r$	40	Hz
Suspension compliance	$C_{MS}$	0.95	mm/N
Mechanical Q	$Q_{ms}$	6.03	
Electrical Q	$Q_{es}$	0.32	
Total Q	$Q_{ts}$	0.31	
Mechanical resistance	$R_{MS}$	0.72	kg/s

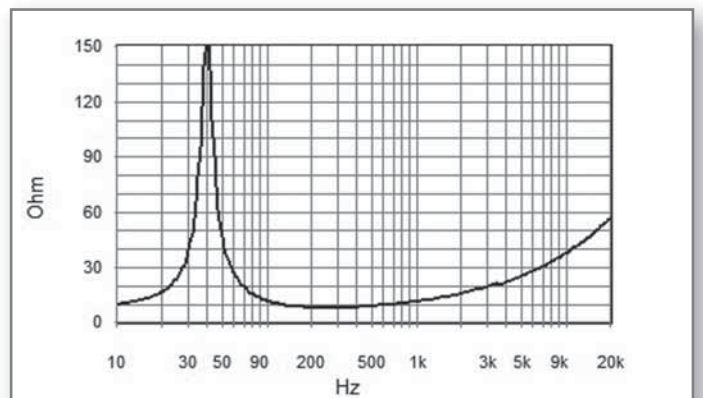
Total moving mass (incl. air mass)	$M_{MD}$	17.1	g
Effective piston area	$S_D$	137	cm <sup>2</sup>
Voice coil inductance	$L_e$	0.95	mH
Force factor	$B_L \times l$	9.3	Tm
Xmax electrical	+/-	4.5	mm
Xmax mechanical	+/-	8.8	mm
Equivalent air vol. of suspension	$V_{AS}$	25.0	dm <sup>3</sup>
Characteristic SPL 1 Watt/1m		89	dB SPL
Rated power		80	W

## Frequency response

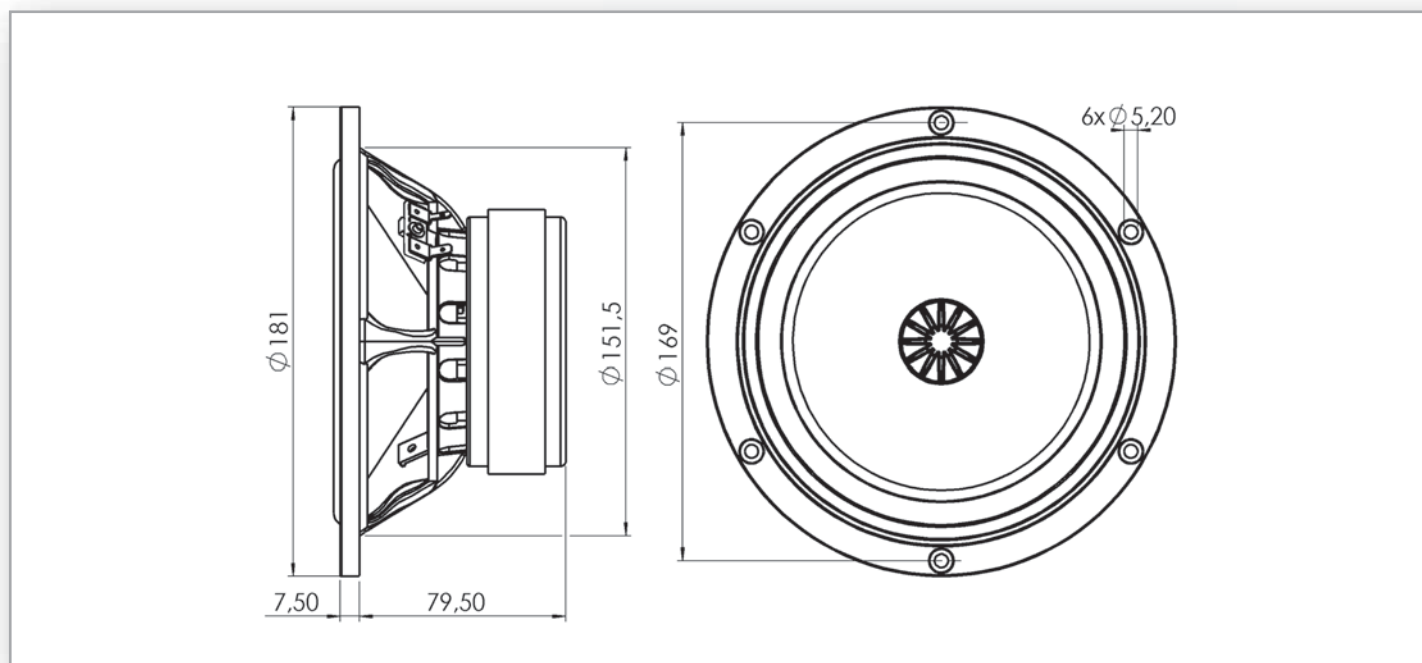


SPL 2,83 V/1m; black 30°, grey 0,60°  
Half space; endless baffle; enclosure 700 l

## Impedance



Measured free air without baffle



### Mechanical data

Overall diameter	181	mm
Cutout diameter	151.5	mm
Frame depth	7.5	mm
Overall depth	87	mm
Screw holes diameter	5.2/ 9	mm
Terminal	2.8/ 4.8	mm
Weight	2.03	kg

### Voice coil

Diameter	32	mm
Height	17	mm
Wire material	Cu	
Former material	Kapton	
Layers	1	

### Magnet

Flux density	1.00	T
Height of gap	8	mm
Material	Ferrite	
Dimension	102 x 46	mm
Height	22	mm
Motor type	Overhung	
Ferrofluid	no	

### Other data

Recommended frequency range	50-3000	Hz
-----------------------------	---------	----