



## Features

8" Bass-Midrange driver for multiple usage, 3-layer Hexacone Sandwich cone, equipped with a solid bass-base, fast and crispy bass reproduction, high dynamic reproduction also at lower mid-frequency range.

8" Tieftöner mit variablem Einsatzbereich, 3-schichtige Hexacone Sandwich-Membrane, verfügt über ein solides Bassfundament, schnelle knackige Basswiedergabe, hohe Dynamik auch im unteren Mitteltonbereich.

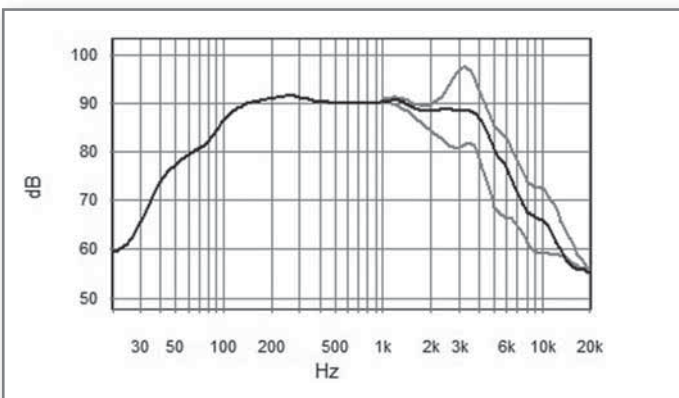
#1.2100.06

## Main technical data

Nominal impedance	$Z_n$	8	$\Omega$
DC resistance	$R_e$	5.4	$\Omega$
Resonance frequency 1W	$f_r$	28	Hz
Resonance frequency TSP	$f_r$	29	Hz
Suspension compliance	$C_{MS}$	1.17	mm/N
Mechanical Q	$Q_{ms}$	9.42	
Electrical Q	$Q_{es}$	0.32	
Total Q	$Q_{ts}$	0.30	
Mechanical resistance	$R_{MS}$	0.54	kg/s

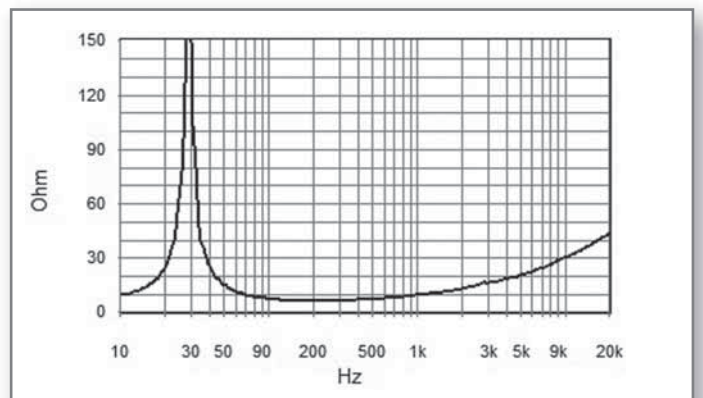
Total moving mass (incl. air mass)	$M_{MD}$	26.5	g
Effective piston area	$S_D$	222	cm <sup>2</sup>
Voice coil inductance	$L_e$	0.78	mH
Force factor	$B_L \times l$	8.6	Tm
Xmax electrical	+/-	4	mm
Xmax mechanical	+/-	14.2	mm
Equivalent air vol. of suspension	$V_{AS}$	81.0	dm <sup>3</sup>
Characteristic SPL 1 Watt/1m		91	dB SPL
Rated power		120	W

## Frequency response

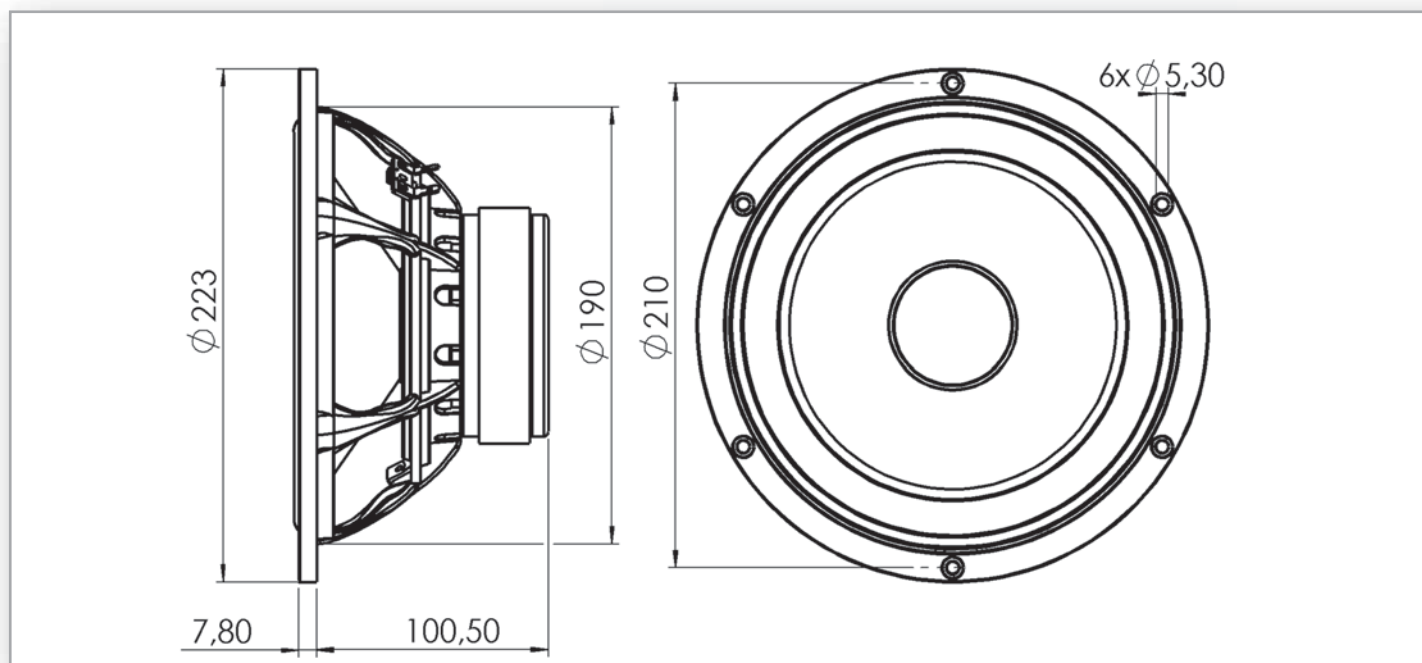


SPL 2,83 V/1m; black 30°, grey 0,60°  
Half space; endless baffle; enclosure 700 l

## Impedance



Measured free air without baffle



### Mechanical data

Overall diameter	223	mm
Cutout diameter	190	mm
Frame depth	7.8	mm
Overall depth	108.3	mm
Screw holes diameter	5.3/ 9	mm
Terminal	2.8/ 4.8	mm
Weight	2.23	kg

### Voice coil

Diameter	37	mm
Height	16	mm
Wire material	Cu	
Former material	Kapton	
Layers	2	

### Magnet

Flux density	1.00	T
Height of gap	8	mm
Material	Ferrite	
Dimension	102 x 46	mm
Height	22	mm
Motor type	Overhung	
Ferrofluid	no	

### Other data

Recommended frequency range	40-2000	Hz
-----------------------------	---------	----