



Features

The dynamical cone geometry built with Magnesium composite materials creates an authentic sound. The hand coated dustcap plus the airflow optimized motor design supports the balanced and detailed sound impression.

Die dynamische Membran-Geometrie in Magnesium-Composite-Ausführung erzeugt eine authentische Klangwiedergabe. Die handgestrichene Kalotte, kombiniert mit einem strömungsoptimierten Antrieb, unterstützt zusätzlich das ausgewogen konturreiche Klangbild.

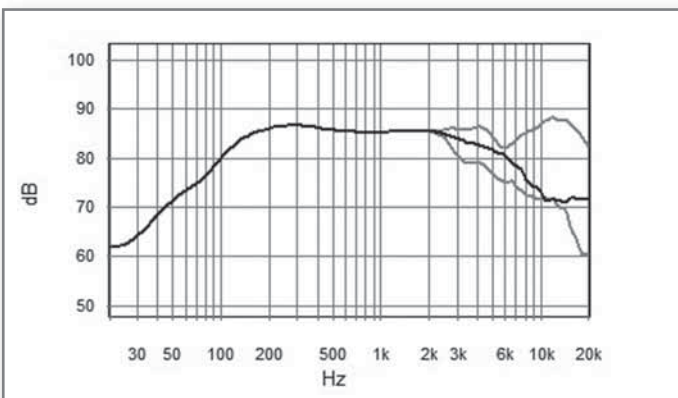
#1.1068.04

Main technical data

Nominal impedance	Z_n	8	Ω
DC resistance	R_e	5.8	Ω
Resonance frequency 1W	f_r	56	Hz
Resonance frequency TSP	f_r	58	Hz
Suspension compliance	C_{MS}	1.78	mm/N
Mechanical Q	Q_{ms}	6.37	
Electrical Q	Q_{es}	0.48	
Total Q	Q_{ts}	0.44	
Mechanical resistance	R_{MS}	0.25	kg/s

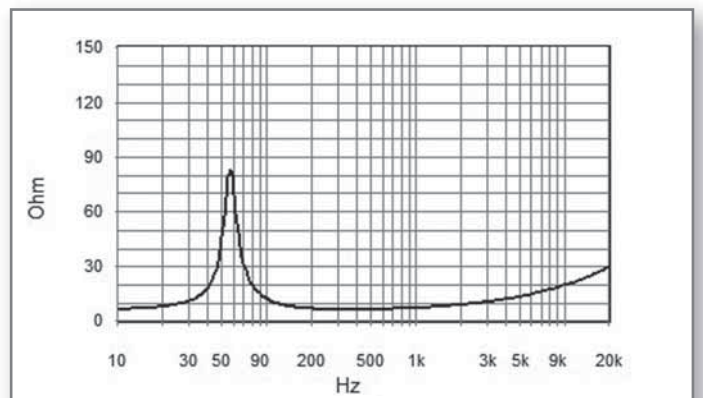
Total moving mass (incl. air mass)	M_{MD}	4.3	g
Effective piston area	S_D	50	cm ²
Voice coil inductance	L_e	0.35	mH
Force factor	$B_L \cdot x_l$	4.2	Tm
Xmax electrical	+/-	4.0	mm
Xmax mechanical	+/-	8.2	mm
Equivalent air vol. of suspension	V_{AS}	6.2	dm ³
Characteristic SPL 1 Watt/1m		87	dB SPL
Rated power		50	W

Frequency response

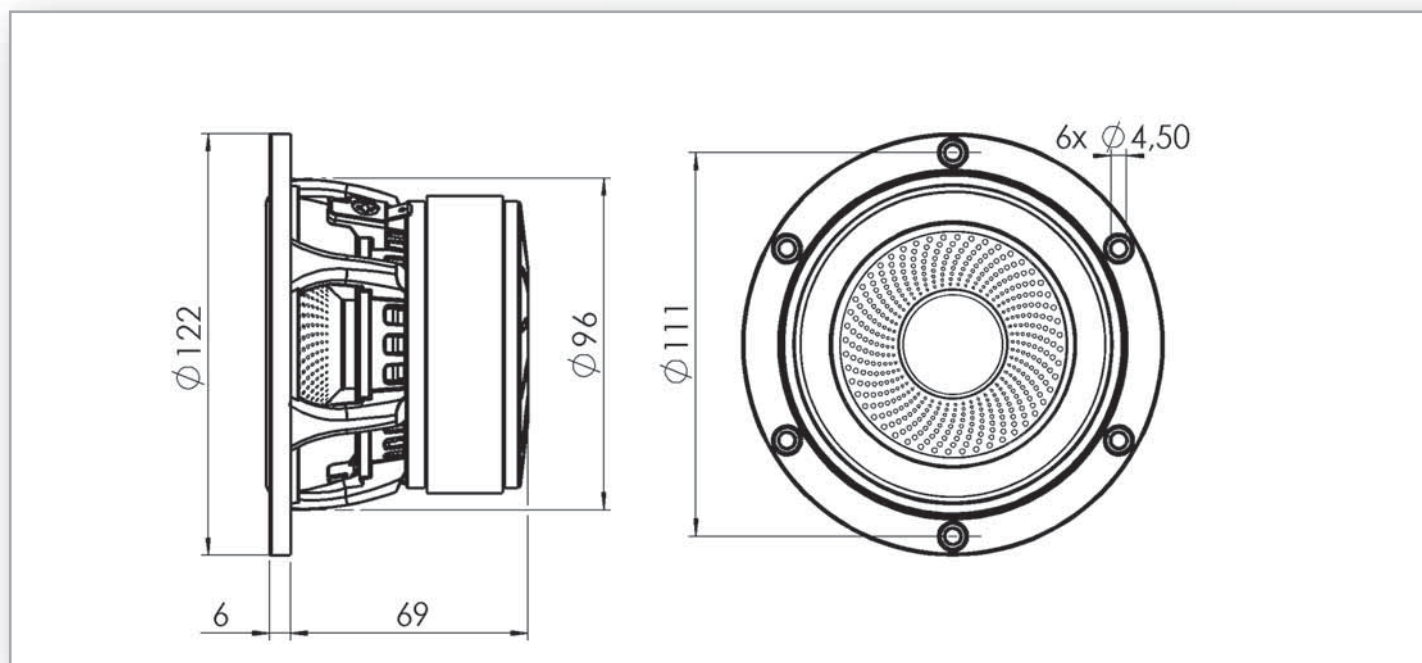


SPL 2,83 V/1m; black 30°, grey 0,60°
Half space; endless baffle; enclosure 700 l

Impedance



Measured free air without baffle



Mechanical data

Overall diameter	122	mm
Cutout diameter	96	mm
Frame depth	6	mm
Overall depth	75	mm
Screw holes diameter	4.5/ 8	mm
Terminal	4.8/ 6.3	mm
Weight	1.28	kg

Voice coil

Diameter	25	mm
Height	13	mm
Wire material	Cu	
Former material	Glass fibre	
Layers	2	

Magnet

Flux density	1.11	T
Height of gap	5	mm
Material	Ferrite	
Dimension	86 x 32	mm
Height	22	mm
Motor type	Overhung	
Ferrofluid	no	

Other data

Recommended frequency range	70-20000Hz
-----------------------------	------------